

CentralTM Semiconductor Corp.

145 Adams Avenue, Hauppauge, NY 11788 USA
Tel: (631) 435-1110 • Fax: (631) 435-1824

Manufacturers of World Class Discrete Semiconductors

CPR1-010 SERIES

GLASS PASSIVATED RECTIFIER
1.0 AMPS, 100-1200 VOLTS

GPR-1A CASE

DESCRIPTION

The CENTRAL SEMICONDUCTOR CPR1-010 series types are silicon rectifiers manufactured in a hermetically sealed, glass passivated package designed for general purpose applications where high reliability is desired.

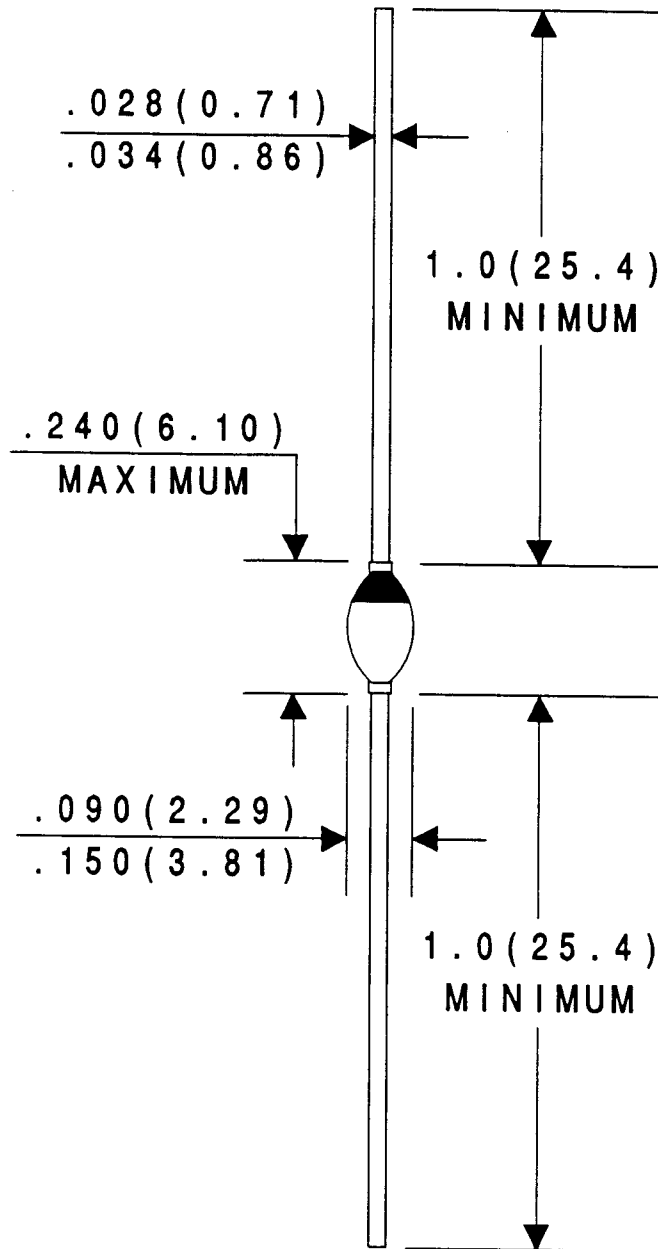
MAXIMUM RATINGS ($T_A = 25^\circ\text{C}$)

	<u>SYMBOL</u>	<u>CPR1</u> <u>-010</u>	<u>CPR1</u> <u>-020</u>	<u>CPR1</u> <u>-040</u>	<u>CPR1</u> <u>-060</u>	<u>CPR1</u> <u>-080</u>	<u>CPR1</u> <u>-100</u>	<u>CPR1</u> <u>-120</u>	<u>UNITS</u>
Peak Repetitive Reverse Voltage	V_{RRM}	100	200	400	600	800	1000	1200	V
DC Blocking Voltage	V_R	100	200	400	600	800	1000	1200	V
RMS Reverse Voltage	V_{RMS}	70	140	280	420	560	700	840	V
Average Forward Current ($T_A = 75^\circ\text{C}$)	I_O				1.0				A
Peak Forward Surge Current	I_{FSM}				50				A
Operating and Storage									
Junction Temperature	T_J, T_{stg}				-65 to +175				$^\circ\text{C}$
Thermal Resistance	θ_{JA}				40				$^\circ\text{C/W}$

ELECTRICAL CHARACTERISTICS ($T_A = 25^\circ\text{C}$ unless otherwise noted)

<u>SYMBOL</u>	<u>TEST CONDITIONS</u>	<u>MIN</u>	<u>MAX</u>	<u>UNITS</u>
I_R	$V_R = \text{Rated } V_{RRM}$		5.0	μA
I_R	$V_R = \text{Rated } V_{RRM}, T_A = 150^\circ\text{C}$		100	μA
V_F	$I_F = 1.0\text{A}$		1.1	V
C_J	$V_R = 4.0\text{V}, f = 1.0\text{ MHz}$		15	pF
t_{rr}	$I_R = 1.0\text{A}, I_F = 0.5\text{A}, R_L = 100\Omega, \text{Rec. to } 0.25\text{A}$		2.0	μs

GPR-1A CASE - MECHANICAL DIMENSIONS



All Dimensions in Inches (mm).