

1.0" Single Digit Display

FEATURES

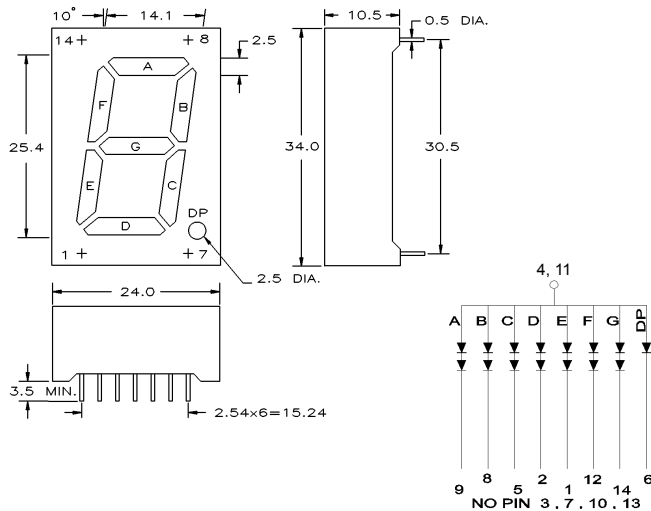
- 1.0" digit height
- Right hand decimal point
- Additional colors/materials available

OPTO-ELECTRICAL CHARACTERISTICS (Ta = 25°C)

PART NO.	PEAK WAVE LENGTH (nm)	EMITTED COLOR	FACE COLORS		MAXIMUM RATINGS			OPTO-ELECTRICAL CHARACTERISTICS						PIN-OUT	
			SURFACE COLOR	EPOXY COLOR	IF (mA)	VR (V)	PD (mW)	VF(V)			IR(μA)		IV(μcd)		
								Seg.-typ.	DP typ.	@mA	max.	@VR	typ. per seg.		@mA
MTN2125-24A	567	Green	Grey	White	30	5	85	4.2	2.1	20	100	5	4600	10	1
MTN4125-24A	635	Orange	Grey	White	30	5	85	4.2	2.1	20	100	5	5200	10	1
MTN4125R-24A	635	Hi-Eff Red	Red	Red	30	5	85	4.2	2.1	20	100	5	5200	10	1
MTN7125M-24A	660	Ultra Red	Grey	White	30	4	70	3.4	1.7	20	100	4	27400	20	1
MTN2125-24C	567	Green	Grey	White	30	5	85	4.2	2.1	20	100	5	4600	10	2
MTN4125-24C	635	Orange	Grey	White	30	5	85	4.2	2.1	20	100	5	5200	10	2
MTN4125R-24C	635	Hi-Eff Red	Red	Red	30	5	85	4.2	2.1	20	100	5	5200	10	2
MTN7125M-24C	660	Ultra Red	Grey	White	30	4	70	3.4	1.7	20	100	4	27400	20	2

Operating Temperature: -25~+85, Storage Temperature: -25~+100. Other face/epoxy colors are available.

PACKAGE DIMENSIONS AND PIN FUNCTIONS



PINOUT 1

COMMON ANODE

PIN NO. FUNCTION

1. CATHODE E
2. CATHODE D
3. NO PIN
4. COMMON ANODE
5. CATHODE C
6. CATHODE DP
7. NO PIN
8. CATHODE B
9. CATHODE A
10. NO PIN
11. COMMON ANODE
12. CATHODE F
13. NO PIN
14. CATHODE G

PINOUT 2

COMMON CATHODE

PIN NO. FUNCTION

1. ANODE E
2. ANODE D
3. NO PIN
4. COMMON CATHODE
5. ANODE C
6. ANODE DP
7. NO PIN
8. ANODE B
9. ANODE A
10. NO PIN
11. COMMON CATHODE
12. ANODE F
13. NO PIN
14. ANODE G

1. ALL DIMENSIONS ARE IN mm, TOLERANCE IS ± 0.25 mm UNLESS OTHERWISE SPECIFIED.
2. THE SLOPE ANGLE OF ANY PIN MAY BE $\pm 5.0^\circ$ MAX.



120 Broadway • Menands, New York 12204
Toll Free: (800) 98-4LEDS • Fax: (518) 432-7454

For up-to-date product info visit our web site at www.marktechopto.com

All specifications subject to change.