

SMD POWER INDUCTORS

MODEL NO. : SPC-1002 SERIES

FEATURES:

- * SUPERIOR QUALITY FOR AN AUTOMATED PRODUCTION LINE.
- * PICK AND PLACE COMPATIBLE.
- * TAPE AND REEL PACKING.



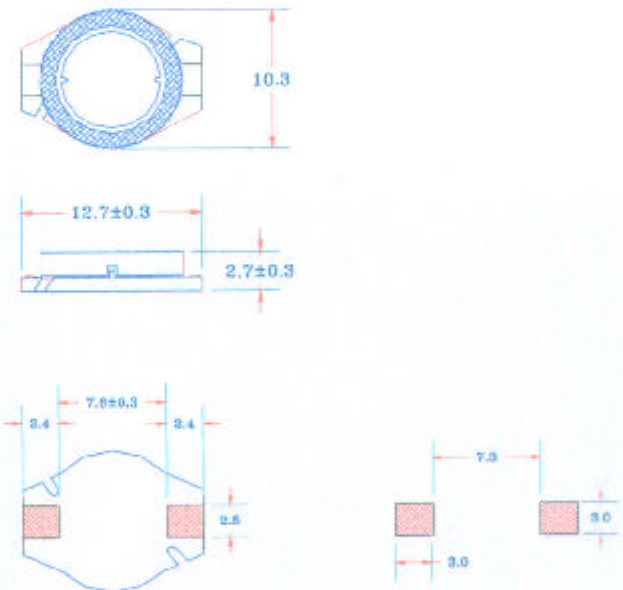
APPLICATION :

- * NOTEBOOK COMPUTERS.
- * DC-DC CONVERTORS.
- * DC-AC INVERTERS.

ELECTRICAL SPECIFICATION:

PART NO.	INDUCTANCE (μ H) \pm 20%	D.C.R. MAX (Ω)	I _{sat} (ADC)	I _{rms} (Arms)
SPC-1002-2R2	2.2	0.045	3.40	2.76
SPC-1002-4R7	4.7	0.078	2.30	1.90
SPC-1002-7R5	7.5	0.100	1.70	1.44
SPC-1002-100	10	0.145	1.50	1.24
SPC-1002-150	15	0.200	1.20	1.02
SPC-1002-220	22	0.300	1.00	0.80
SPC-1002-330	33	0.450	0.85	0.70
SPC-1002-470	47	0.650	0.72	0.60
SPC-1002-680	68	0.800	0.58	0.48
SPC-1002-101	100	1.400	0.48	0.40
SPC-1002-151	150	1.800	0.40	0.32
SPC-1002-221	220	2.200	0.32	0.26

PHYSICAL DIMENSION : (UNIT:mm)



TOLERANCE : \pm 0.20 PCB PATTERN

NOTE (1): TEST FREQUENCY: 1 kHz, 1 VRMS.

NOTE (2): THIS INDICATES THE VALUE OF DC CURRENT WHICH THE INDUCTANCE IS 10% LOWER THAN ITS INITIAL VALUE AND/OR $\Delta T=40^{\circ}C$ UNDER THIS DC CURRENT BIAS.