

THYRISTOR MODULE

20A / 300V to 800V

PBF203 PBF206 PBF208

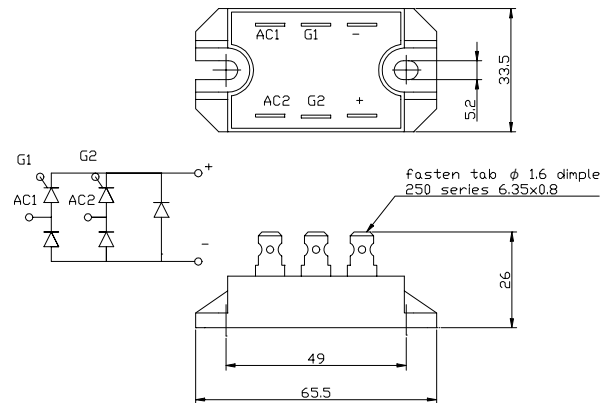
FEATURES

- * Isolated Base
- * Thyristors and Diodes H-Bridge
Circuit With Free-Wheeling Diode
- * High Surge Capability
- * UL Recognized, File No. E187184

TYPICAL APPLICATIONS

- * Rectified For General Use

OUTLINE DRAWING



Maximum Ratings

Approx Net Weight:70g

Parameter	Symbol	Grade			Unit
		PBF203	PBF206	PBF208	
Repetitive Peak Off-State Voltage	V_{DRM}	300	600	800	V
Non Repetitive Peak Off-State Voltage	V_{DSM}	400	700	960	
Repetitive Peak Reverse Voltage	V_{RRM}	300	600	800	V
Non Repetitive Peak Reverse Voltage	V_{RSM}	400	700	960	

Parameter		Conditions	Max Rated Value	Unit
Average Rectified Output Current	$I_{O(AV)}$	50Hz Half Sine Wave condition $T_c=60^\circ\text{C}$	20	A
Surge On-State Current	I_{TSM}	50 Hz Half Sine Wave, 1Pulse, Non-Repetitive	160	A
I Squared t	I^2t	2msec to 10msec	128	A^2s
Critical Rate of Turned-On Current	di/dt	$V_D=2/3V_{DRM}$, $I_{TM}=2 \cdot I_O$, $T_j=125^\circ\text{C}$ $I_C=100\text{mA}$, $di_G/dt=0.2\text{A}/\mu\text{s}$	100	$\text{A}/\mu\text{s}$
Peak Gate Power	P_{GM}		5	W
Average Gate Power	$P_{G(AV)}$		0.5	W
Peak Gate Current	I_{GM}		2	A
Peak Gate Voltage	V_{GM}		10	V
Peak Gate Reverse Voltage	V_{RGM}		5	V
Operating JunctionTemperature Range	T_{jw}		-40 to +125	$^\circ\text{C}$
Storage Temperature Range	T_{stg}		-40 to +125	$^\circ\text{C}$
Isolation Voltage	Viso	Base Plate to Terminals, AC1min	2000	V
Mounting torque	Case mounting	Ftor	M5 Screw	2.4 to 2.8
	Terminals			

Value per 1 Arm

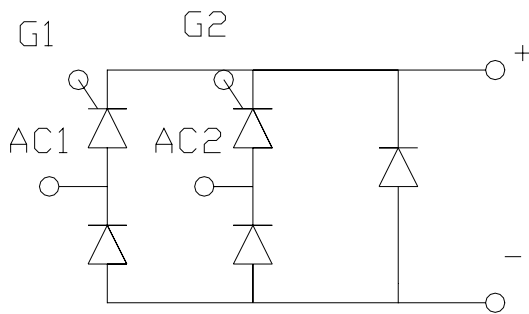
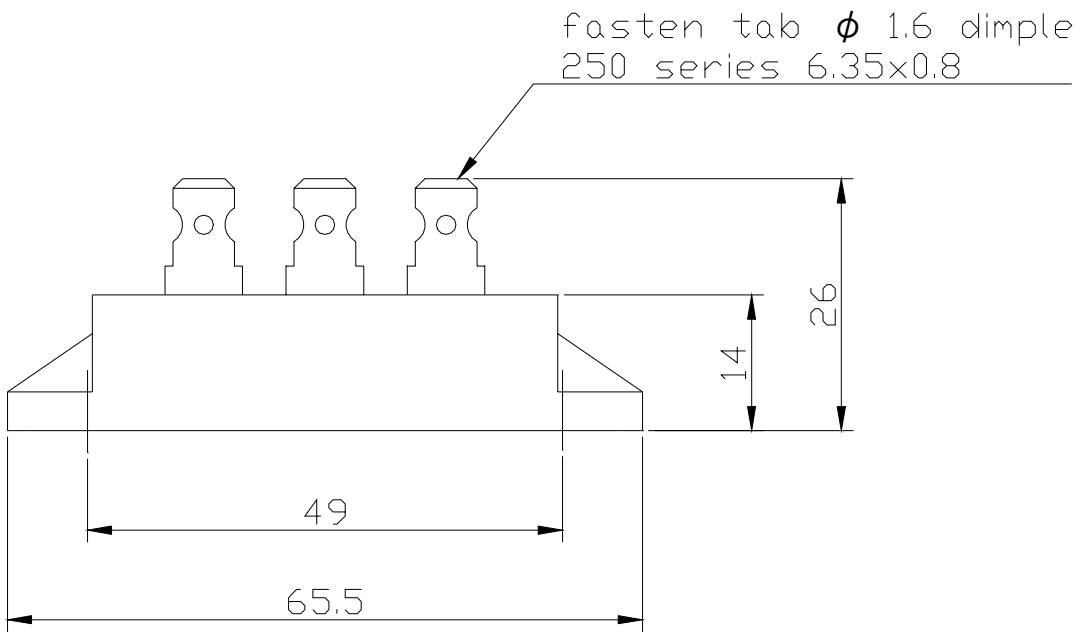
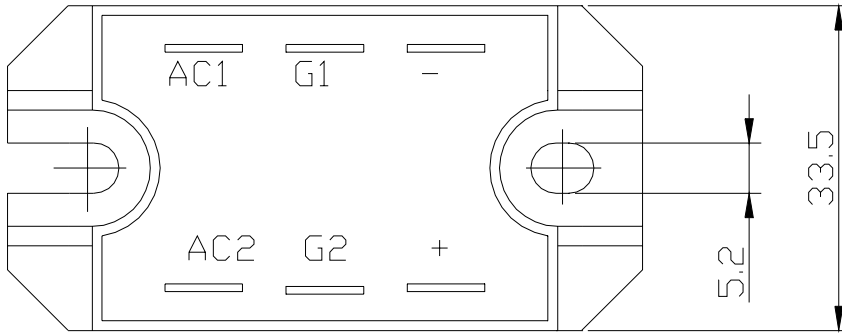
Electrical • Thermal Characteristics

Characteristics	Symbol	Test Conditions	Maximum Value.			Unit
			Min.	Typ.	Max.	
Peak Off-State Current	I_{DM}	$V_{DM} = V_{DRM}, T_j = 125^\circ\text{C}$			5	mA
Peak Reverse Current	I_{RM}	$V_{RM} = V_{RRM}, T_j = 125^\circ\text{C}$			5	mA
Peak Forward Voltage	V_{TM}	$I_{TM} = 30\text{A}, T_j = 25^\circ\text{C}$			1.63	V
Gate Current to Trigger	I_{GT}	$V_D = 6\text{V}, I_T = 1\text{A}$	$T_j = -40^\circ\text{C}$		100	mA
			$T_j = 25^\circ\text{C}$		50	
			$T_j = 125^\circ\text{C}$		25	
Gate Voltage to Trigger	V_{GT}	$V_D = 6\text{V}, I_T = 1\text{A}$	$T_j = -40^\circ\text{C}$		4	V
			$T_j = 25^\circ\text{C}$		2.5	
			$T_j = 125^\circ\text{C}$		2	
Gate Non-Trigger Voltage	V_{GD}	$V_D = 2/3V_{DRM}, T_j = 125^\circ\text{C}$	0.25			V
Critical Rate of Rise of Off-State Voltage	dv/dt	$V_D = 2/3V_{DRM}, T_j = 125^\circ\text{C}$	100			V/ μs
Turn-Off Time	tq	$I_{TM} = I_O, V_D = 2/3V_{DRM}$ $dv/dt = 20\text{V}/\mu\text{s}, V_R = 100\text{V}$ $-di/dt = 20\text{A}/\mu\text{s}, T_j = 125^\circ\text{C}$		80		μs
Turn-On Time	tgt	$V_D = 2/3V_{DRM}, T_j = 125^\circ\text{C}$ $I_G = 100\text{mA}, di_G/dt = 0.2\text{A}/\mu\text{s}$		6		μs
Delay Time	td			2		μs
Rise Time	tr			4		μs
Latching Current	I_L	$T_j = 25^\circ\text{C}$		70		mA
Holding Current	I_H	$T_j = 25^\circ\text{C}$		50		
Thermal Resistance *1	Rth(j-c)	Junction to Case			1.1	$^\circ\text{C}/\text{W}$
	Rth(c-f)	Base Plate to Heat Sink with Thermal Compound			0.1	

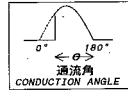
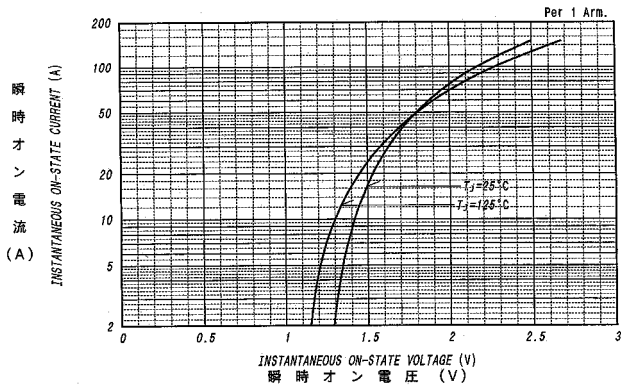
Value Per 1Arm

*1:Value Per Module

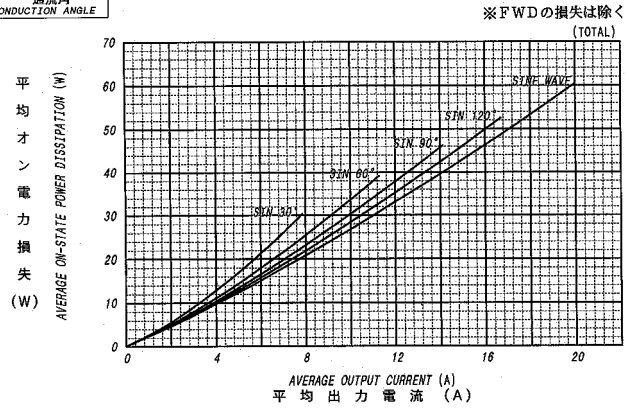
PBF20x OUTLINE DRAWING (Dimensions in mm)



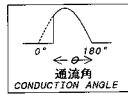
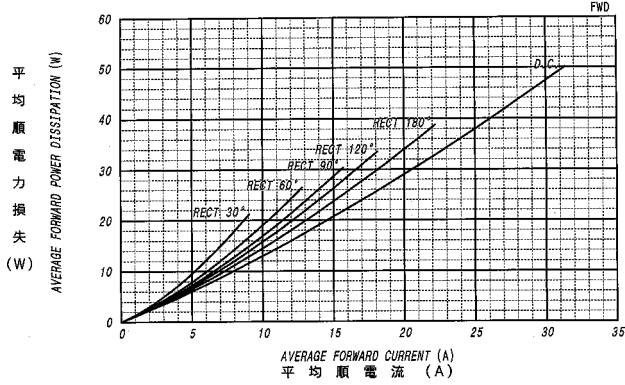
オン電圧特性
ON-STATE CURRENT VS. VOLTAGE



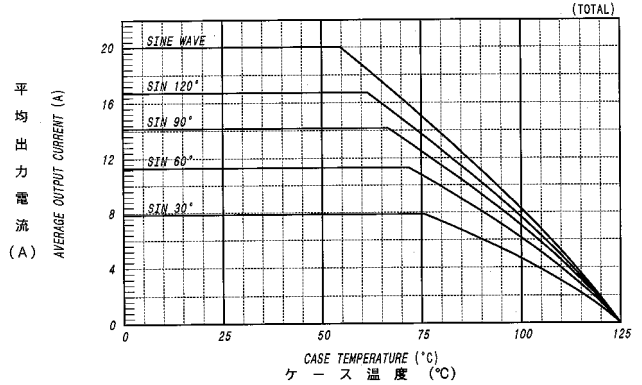
平均オン電力損失特性
AVERAGE ON-STATE POWER DISSIPATION



平均順電力損失特性
AVERAGE FORWARD POWER DISSIPATION

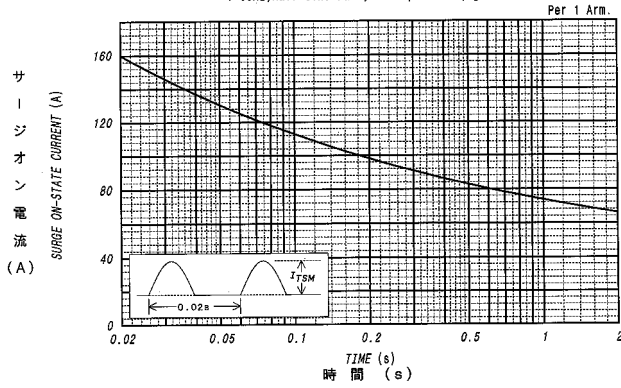


平均出力電流 - ケース温度定格
AVERAGE OUTPUT CURRENT VS. CASE TEMPERATURE

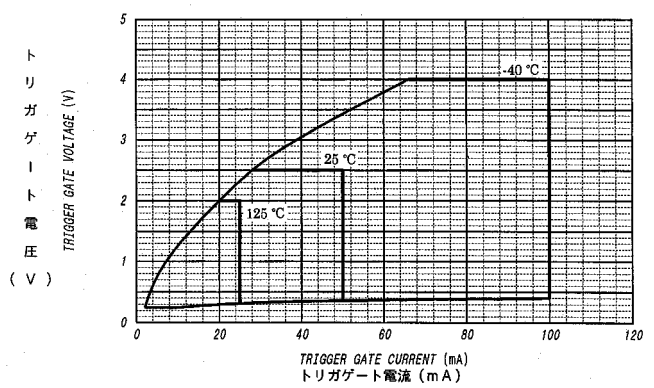


サージオン電流定格
SURGE CURRENT RATINGS

f=50Hz, Half Sine Wave, Non-Repetitive, Tj=125°C



ゲート特性
GATE CHARACTERISTICS



ゲート定格
GATE RATINGS

