

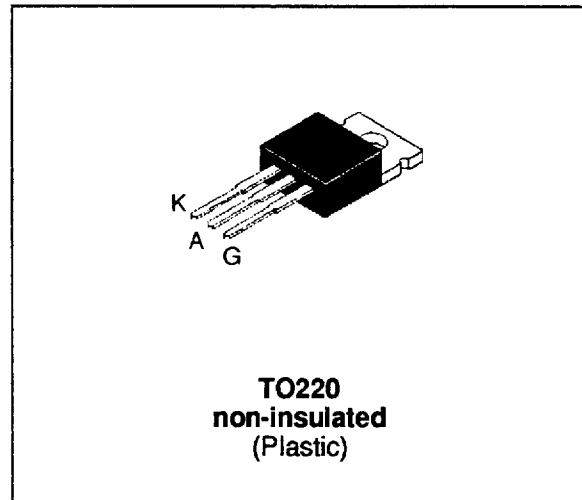
FAST SWITCHING SCR

FEATURES

- $I_{T(RMS)} = 8A$
- $V_{DRM} = 200V$ to $800V$
- $t_q = 20\mu s$ max

DESCRIPTION

The F0810xH series of SCRs uses a high performance MESA GLASS PNP technology. These parts are intended for high frequency switching applications.



ABSOLUTE RATINGS (limiting values)

Symbol	Parameter	Value	Unit	
$I_{T(RMS)}$	RMS on-state current (180° conduction angle)	$T_c = 95^\circ C$ 8	A	
$I_{T(AV)}$	Average on-state current (180° conduction angle)	$T_c = 95^\circ C$ 5.1	A	
I_{TSM}	Non repetitive surge peak on-state current (T_j initial = $25^\circ C$)	$t_p = 8.3$ ms	88	A
		$t_p = 10$ ms	80	
I^2t	I^2t Value for fusing	$t_p = 10$ ms	32	A^2s
di/dt	Critical rate of rise of on-state current $I_G = 100$ mA $di_G/dt = 1$ A/ μs .	100	$A/\mu s$	
T_{stg} T_j	Storage and operating junction temperature range	- 40, + 150 - 40, + 125	$^\circ C$	
TI	Maximum lead temperature for soldering during 10s at 4.5mm from case	260	$^\circ C$	

Symbol	Parameter	Voltage				Unit
		B	D	M	N	
V_{DRM} V_{RRM}	Repetitive peak off-state voltage $T_j = 125^\circ C$	200	400	600	800	V

F0810xH

THERMAL RESISTANCES

Symbol	Parameter	Value	Unit
Rth(j-a)	Junction to ambient	60	°C/W
Rth(j-c)	Junction to case for DC	3	°C/W

GATE CHARACTERISTICS (maximum values)

$P_{G(AV)} = 0.5\text{ W}$ $P_{GM} = 2\text{ W}$ ($t_p = 20\ \mu\text{s}$) $I_{GM} = 2\text{ A}$ ($t_p = 20\ \mu\text{s}$)

ELECTRICAL CHARACTERISTICS

Symbol	Test Conditions			Sensitivity	Unit
				10	
I _{GT}	V _D =12V (DC) R _L =33Ω	T _j = 25°C	MIN	10	mA
			MAX	25	
V _{GT}	V _D =12V (DC) R _L =33Ω	T _j = 25°C	MAX	1.5	V
V _{GD}	V _D =V _{DRM} R _L =3.3kΩ	T _j = 125°C	MIN	0.2	V
t _{gt}	V _D =V _{DRM} I _{TM} = 3 x I _{T(AV)} dI _G /dt = 0.8A/μs I _G = 90mA	T _j = 25°C	TYP	2	μs
I _H	I _T = 250mA Gate open	T _j = 25°C	MAX	75	mA
I _L	I _G =1.2 I _{GT}	T _j = 25°C	MAX	150	mA
V _{TM}	I _{TM} = 16A t _p = 380μs	T _j = 25°C	MAX	2	V
I _{DRM} I _{RRM}	V _D = V _{DRM} V _R = V _{RRM}	T _j = 25°C	MAX	5	μA
		T _j = 110°C	MAX	1.5	mA
dV/dt	V _D =67%V _{DRM} Gate open	T _j = 110°C	MIN	300	V/μs
t _q	I _{TM} = 3 x I _{T(AV)} V _R =35V dI/dt=25A/μs t _p =100μs dV/dt=25V/μs V _D = 67%V _{DRM}	T _j = 110°C	MAX	20	μs

ORDERING INFORMATION

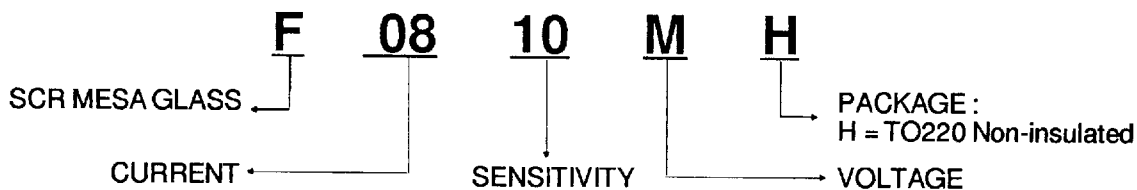


Fig.1 : Maximum average power dissipation versus average on-state current.

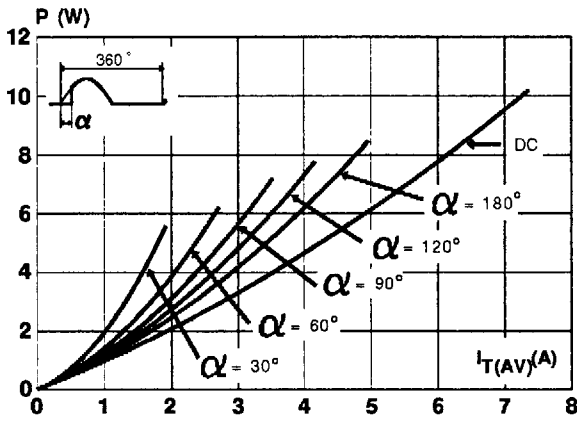


Fig.2 : Correlation between maximum average power dissipation and maximum allowable temperature (Tamb and Tcase) for different thermal resistances heatsink + contact.

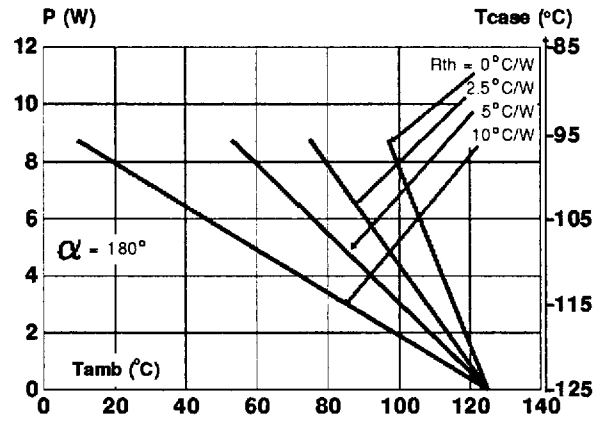


Fig.3 : Average on-state current versus case temperature.

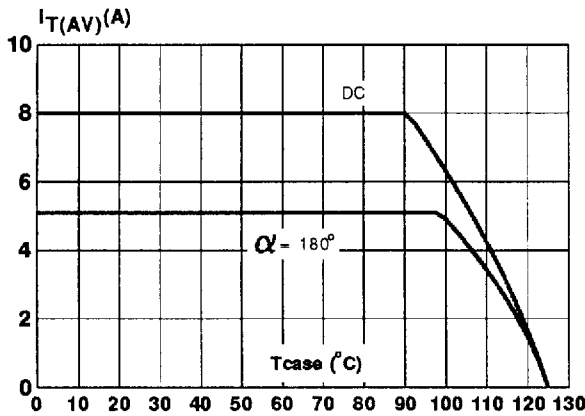


Fig.4 : Relative variation of thermal impedance versus pulse duration.

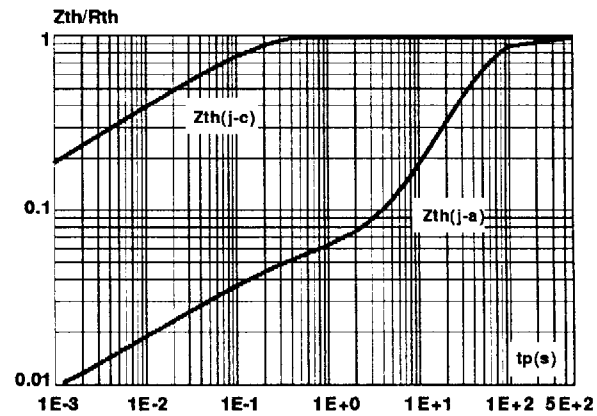


Fig.5 : Relative variation of gate trigger current and holding current versus junction temperature.

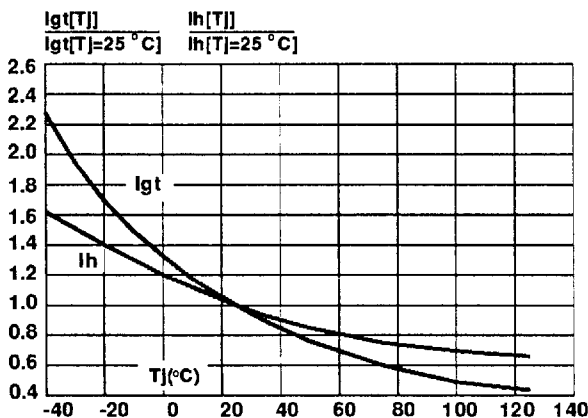


Fig.6 : Non repetitive surge peak on-state current versus number of cycles.

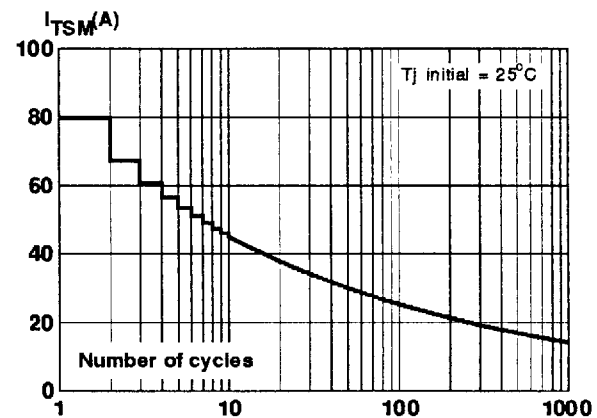


Fig.7 : Non repetitive surge peak on-state current for a sinusoidal pulse with width : $t \leq 10\text{ms}$, and corresponding value of I^2t .

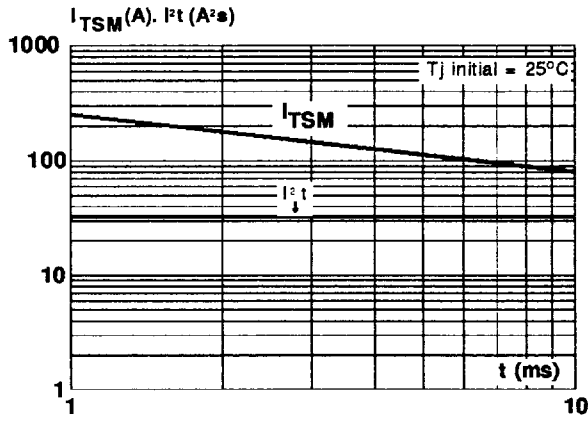
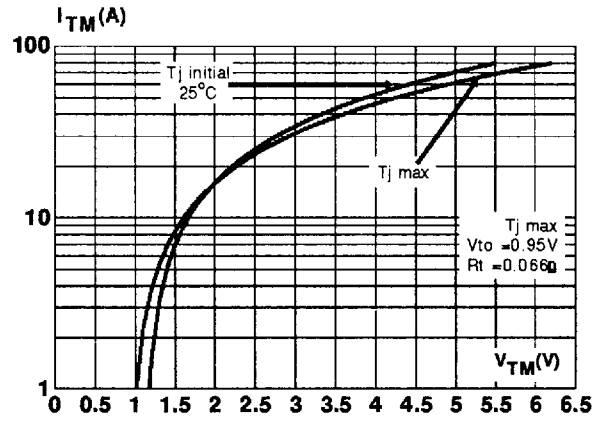
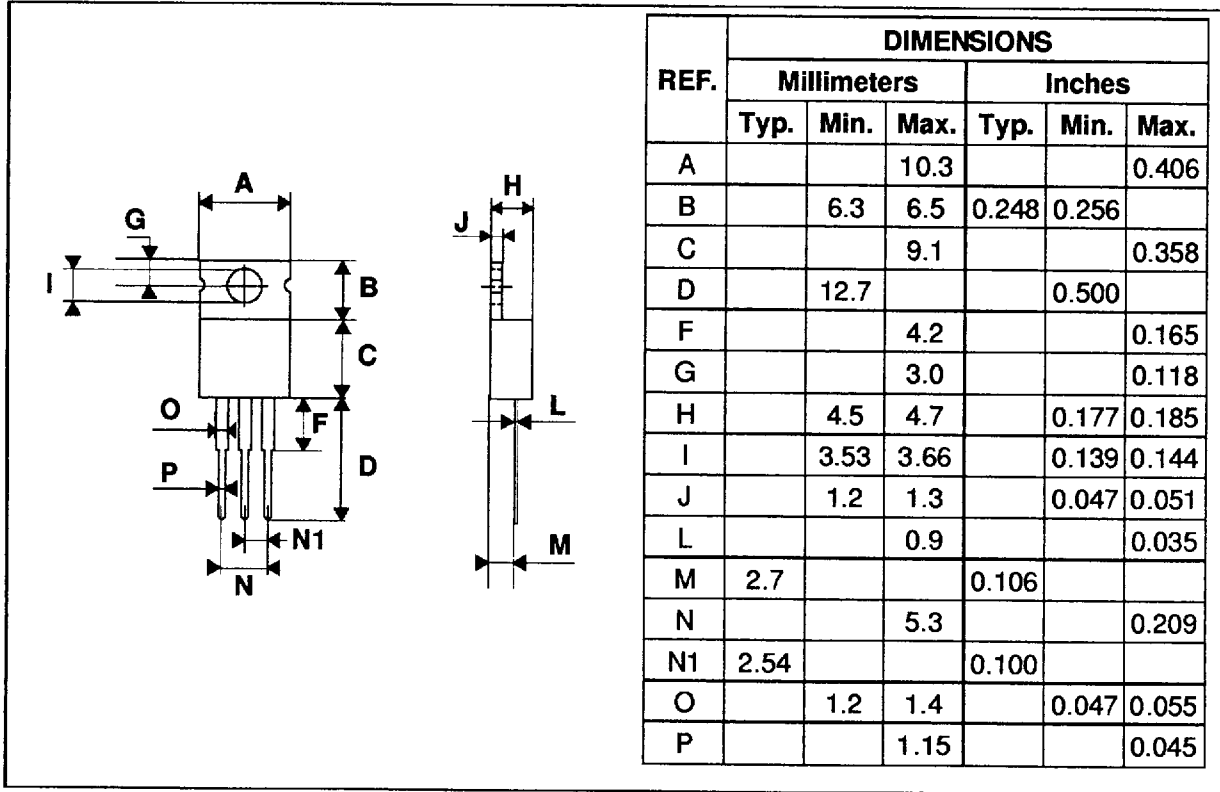


Fig.8 : On-state characteristics (maximum values).



PACKAGE MECHANICAL DATA
 TO220 Non-insulated (Plastic)


Marking : type number
 Weight : 1.8 g

Information furnished is believed to be accurate and reliable. However, SGS-THOMSON Microelectronics assumes no responsibility for the consequences of use of such information nor for any infringement of patents or other rights of third parties which may result from its use. No license is granted by implication or otherwise under any patent or patent rights of SGS-THOMSON Microelectronics. Specifications mentioned in this publication are subject to change without notice. This publication supersedes and replaces all information previously supplied. SGS-THOMSON Microelectronics products are not authorized for use as critical components in life support devices or systems without express written approval of SGS-THOMSON Microelectronics.

© 1995 SGS-THOMSON Microelectronics - All rights reserved.

SGS-THOMSON Microelectronics GROUP OF COMPANIES

Australia - Brazil - France - Germany - Hong Kong - Italy - Japan - Korea - Malaysia - Malta - Morocco - The Netherlands
 Singapore - Spain - Sweden - Switzerland - Taiwan - Thailand - United Kingdom - U.S.A.