

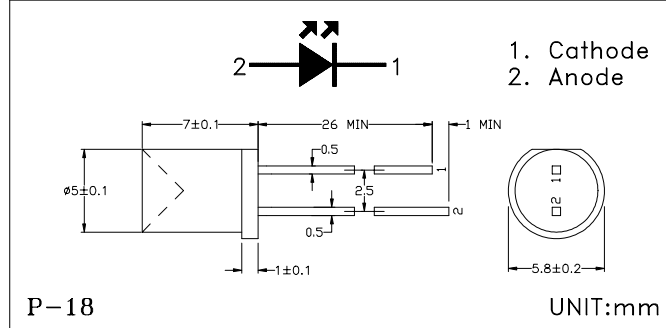
## LED – Light Emitting Diode

Module No.: W05318RSJ-6S

### Features:

- Ø5mm
- RED
- Red Color Transparent
- Super Bright
- PIN=26mm
- Inverted Cone

### Dimensions



### Absolute Maximum Ratings

( $T_a=25^\circ\text{C}$ )

Descriptions	Symbol	Value	Unit
Continuous Forward Current	$I_F$	30	mA
Peak Forward Current *1	$I_{FM}$	35	mA
Reverse Voltage	$V_R$	5	V
Operating Temperature	$T_{opr}$	-25 ~ +65	$^\circ\text{C}$
Storage Temperature	$T_{stg}$	-25 ~ +85	$^\circ\text{C}$
Soldering Temperature *2	$T_{sol}$	260	$^\circ\text{C}$

\*1 Duty ratio = 1/10, Pulse width = 0.1ms.

\*2 At the position of 2mm from the bottom face of resin package within 5 sec.

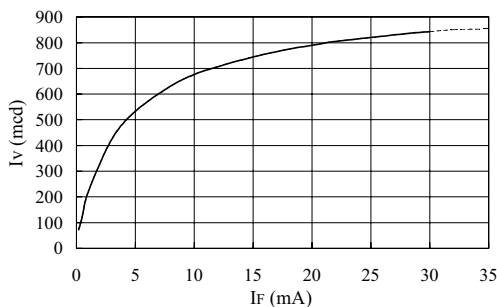
### Electro-optical Characteristics

( $T_a=25^\circ\text{C}$ )

Descriptions	Symbol	Conditions	Min.	Typ.	Max.	Unit
Forward Voltage	$V_{F1}$	$I_F=100\mu\text{A}$	1.3			V
	$V_{F2}$	$I_F=20\text{mA}$		1.8	2.3	V
Luminous Intensity *3	$I_v$	$I_F=20\text{mA}$	610	790		mcd
Peak Emission Wavelength	$\lambda_p$	$I_F=20\text{mA}$		660		nm
Spectrum Radiation Bandwidth	$\Delta\lambda$	$I_F=20\text{mA}$		20		nm
Half Power Beam Angle	$\Delta\theta$			$\pm 55$		deg.
Terminal Capacitance	$C_t$			25		pF
Response Frequency	$f_c$			8		MHz

\*3 Tolerance:  $\pm 30\%$

Luminous Intensity vs  
Forward Current



Radiation Diagram

